



# RP203 Ropegrab Fixed Axle

## Data Sheet



ISC Ropegrabs have a non-aggressive cam-face design which helps prevent rope wear.



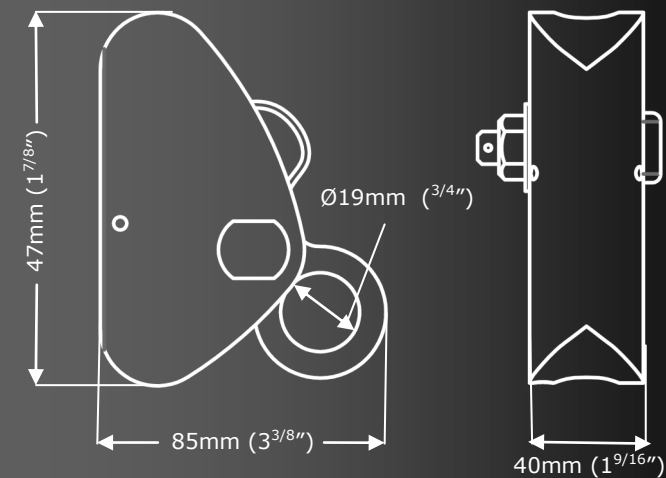
climb. work. rescue.

# I|S|C

SOLUTIONS IN METAL

ISC Standard Ropegrabs are also available with removable (Pip Pin) axle (see RP209).

ISC Ropegrabs can be used on work positioning lanyard/ fliplines.



<b>Weight</b>	177g (6oz)
<b>Body Material</b>	Aluminium
<b>Finish</b>	Anodised
<b>Rope Size</b>	10.5- 13mm (3/8-1/2")
<b>MBS</b>	Dependant on rope type